



Invacare[®]

Commode chairs





Invacare H720T

- Stable, robust frame made from powder-coated steel tube
- High corrosion protection
- Space-saving push bar for optimal positioning over the toilet
- Swing-away armrests and swing-away, detachable footrests make conversion easy
- Stable commode seat with integrated toilet pan holder



H720T Special 60-48

- Special: Also available with a seat width of 60 cm!



Invacare Omega H750

- Compact modern design
- Castors with brakes for safety
- Padded back, seat and arms
- Integral foot support

Invacare H450

- Stationary commode chair
- Space-saving: commode chair can be stacked
- Stable and corrosion-protected design with welded tubes
- Easy handling: commode pan can be removed from the side and from above



Invacare H450LA

- Stationary, height adjustable commode chair
- Space-saving: commode chair can be stacked
- Seat height adjustable in 7 steps from 510 - 660 mm
- Attractive design: fits well into a domestic setting
- Easy to clean thanks to the smooth surfaces

Invacare Omega H407

- Foldable, Space saving commode
- Ideal for infrequent or travel use
- Contoured backrest
- Complete with sanitary pan

Technical data

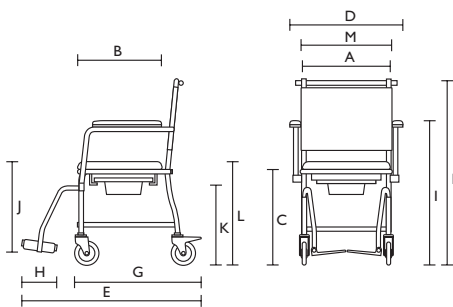
For more comprehensive pre-sales information about this product, including the product's user manual, please see your local Invacare website.

Order numbers	Invacare H720T	Invacare Omega H750	Invacare H450 stationary	Invacare H450LA height adjustable	Invacare Omega H407
Commode chair, mobile	1525770				
Commode chair, mobile, in special construction	H720T S				
Commode chair, mobile, lavender blue		1471043			
Commode chair, mobile, blue		1471044			
Commode chair, lavender blue			1471012	1471014	
5 pack			1471163	1471165	
Commode chair, blue			1471028	1471029	
5 pack			1471164	1471166	
Commode chair, lavender blue, 2 pack					1471010

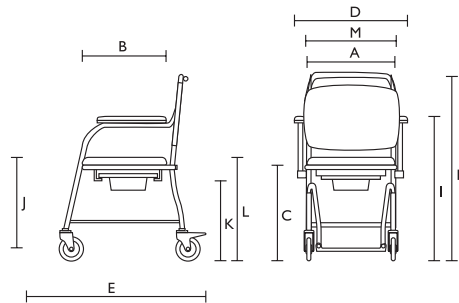
Dimensions					
Seat width	450 mm (A)	500 mm (A)	495 mm (A)	495 mm (A)	440 mm (A)
Seat depth	450 mm (B)	460 mm (B)	455 mm (B)	455 mm (B)	420 mm (B)
Seat height	480 mm (C)	480 mm (C)	500 mm (C)	510 - 660 mm (C)	450 mm (C)
Total width	575 mm (D)	635 mm (D)	635 mm (D)	635 mm (D)	580 mm (D)
Total depth	810 mm (E)	790 mm (E)	630 mm (E)	630 mm (E)	560 mm (E)
Total height	945 mm (F)	920 mm (F)	890 mm (F)	900 - 1050 mm (F)	910 mm (F)
Depth without footrests	545 mm (G)	670 mm (G)	-	-	-
Footplate depth	155 mm (H)	95 mm (H)	-	-	-
Height to armrests	755 mm (I)	700 mm (I)	690 mm (H)	700 - 850 mm (H)	660 mm (H)
Height, footrests to seat	345 - 460 mm (J)	370 mm (J)	-	-	-
Height, ground to lower seat edge:					
with holder for toilet pan	420 mm (K)	360 mm (K)	370 mm (I)	380 - 530 mm (I)	-
without holder for toilet pan	-	-	430 mm (J)	440 - 590 mm (J)	-
Height, floor to cover plate	525 mm (L)	505 mm (L)	525 mm (K)	535 - 685 mm (K)	475 mm (K)
Width between the armrests	470 mm (M)	510 mm (M)	510 mm (G)	510 mm (G)	460 mm (G)
Width, cut out in seat plate	220 mm	215 mm	215 mm	215 mm	215 mm
Depth, cut out in seat plate	260 mm	255 mm	250 mm	250 mm	255 mm
Ø Castors	5" (127 mm)	100 mm	-	-	-

More info					
Weight	14,0 kg	15,0 kg	8,3 kg	8,8 kg	8,5 kg
Load capacity	135 kg	130 kg	130 kg	130 kg	130 kg
Colour	Black anthracite	Lavender blue / Blue	Lavender blue / Blue	Lavender blue / Blue	Lavender blue

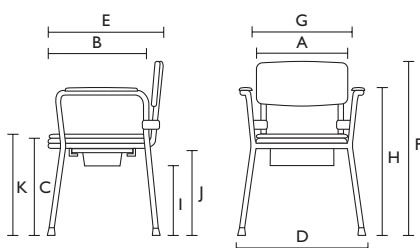
Invacare **H720T**



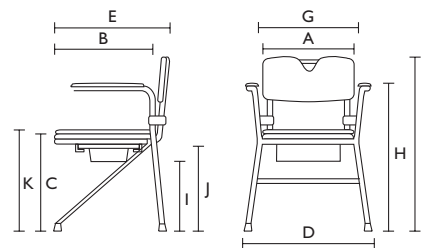
Invacare **Omega H750**



Invacare **H450 / H450LA**



Invacare **Omega H407**





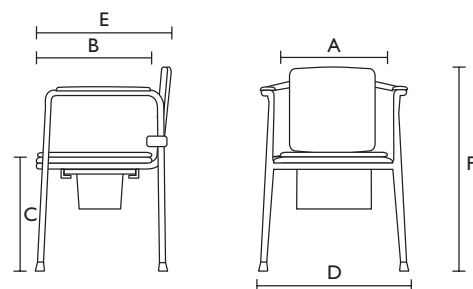
Invacare Styxo 9630

- Easy to handle seating height adjustment in 7 steps from 41 cm to 56 cm
- Complete with elongated toilet seat and lid, pan with lid and splash guard
- Tool-less assembly and easy to clean
- High load capacity: 160 kg

Technical data

For more comprehensive pre-sales information about this product, including the product's user manual, please see your local Invacare website.

Order numbers	9630 Styxo
Toilet Commode	9630E
Dimensions	
Seat width	360 mm
Seat depth	420 mm
Seat height	410-560 mm
Total width	620 mm
Total depth	490 mm
Total height	600-750 mm
More info	
Load capacity	160 kg
Weight	5,5 kg
Colour	Grey



QR
Code

Tel: +41 61 487 70 70
hqeurope@invacare.com
www.invacare.eu.com

Invacare International GmbH
Benkenstrasse 260
4108 Witterswil
Switzerland

